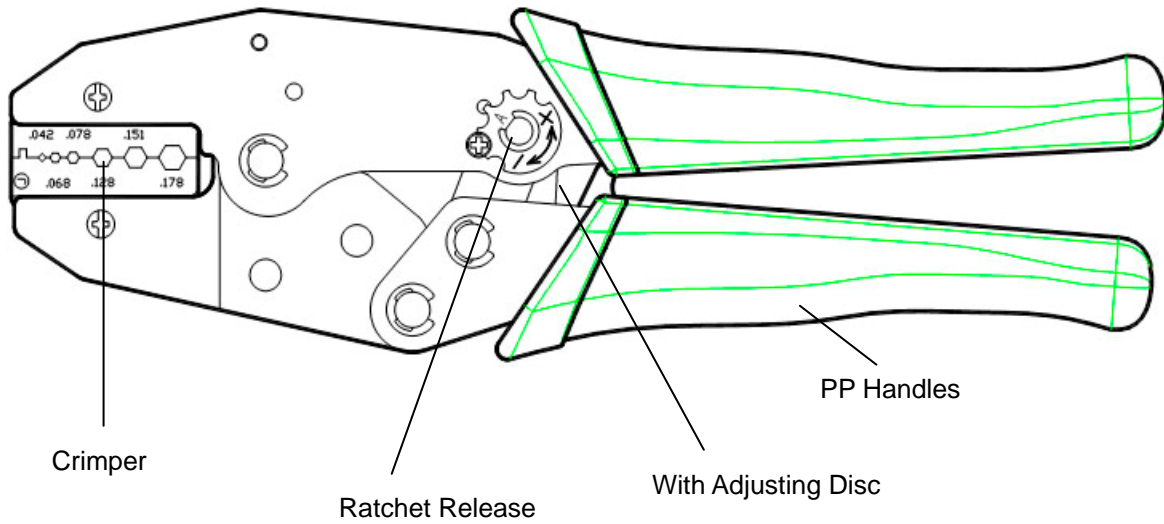

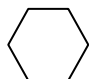


RP-OP336J

Fiber Optic Crimp tool



Specification

Crimping Range	•					
		.042" 1.07mm				
		.068" 1.73mm	.078" 1.98mm	.128" 3.25mm	.151" 3.84mm	.178" 4.52mm
	Description	For Crimping RG 174,179 Belden 8218,Fiber Optic				
Length	•	8.7"(220mm)				
Weight	•	500g				
Material	•	Frame - Middle Carbon Steel Crimper - Made Of Off Wax				
Finished	•	Black Oxide Finished With Hardened				

Ordering information

RP-OP336J Fiber Optic Crimp tool- Hex size .042" .068" .078" .128" .151" .178"