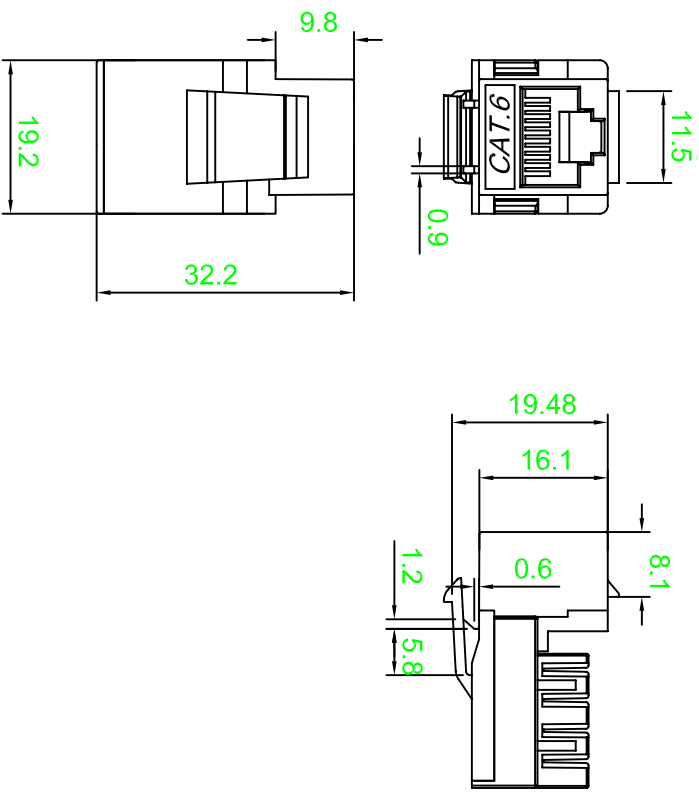


Category 6 Keystone Jack

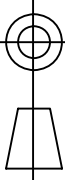


Electrical:

1. Current Rating: 1.5Amp Max.
2. Voltage Rating: 150 Volts
3. Contact Resistance: 20m-ohm
4. Insulation Resistance: 500M-ohm
5. Dielectric Withstand Voltage: 1000VAC RMS 60HZ 1MIN

Materials

1. Housing: ABS UL94V-0
 2. IDC: PC UL94V-0, Accept 22-26 AWG Solid Wire
 3. Contact: PC UL94V-0, 0.45mm Diameter phosphor bronze
 4. PCB: FR-4 1.6mm thickness
- 2 layer with Gold plating on contact area.

		DSGN	<i>Kevin</i>	ITEM NO: RP-K8C600
UNIT	m/m	CHK	<i>Kevin</i>	
SCALE	1:1	APPR	<i>Vincent</i>	
DRAW NO:		REPOTEC CO., LTD.		