

## RP-IMC811FP

### **10/100/1000Base-TX to 100/1000Base-X SFP Industrial PoE+ Media Converter**

RP-IMC811FP is an Industrial PoE Converter providing superior performance in stability, environmental adaptability. It equips with one 10/100/1000BASE-T RJ45 copper and one slot for 100/1000BASE-X SFP.

The RP-IMC811FP complies with IEEE 802.3af/at standards for supplying PoE power budget up to 30W/60W/95W and with its Cold-Design will not only power up your PD device, also reduce the excessive heat problem to a minimum. The operating temperature range from -40 to 75 Degree C allows RP-IMC811FP to be placed in almost any difficult environment.

With IP30 industrial case protection, the RP-IMC811FP provides a high level of immunity against corrosion and electromagnetic interference. RP-IMC811FP also allows either DIN rail or wall mounting for efficient use of cabinet space.



## Features

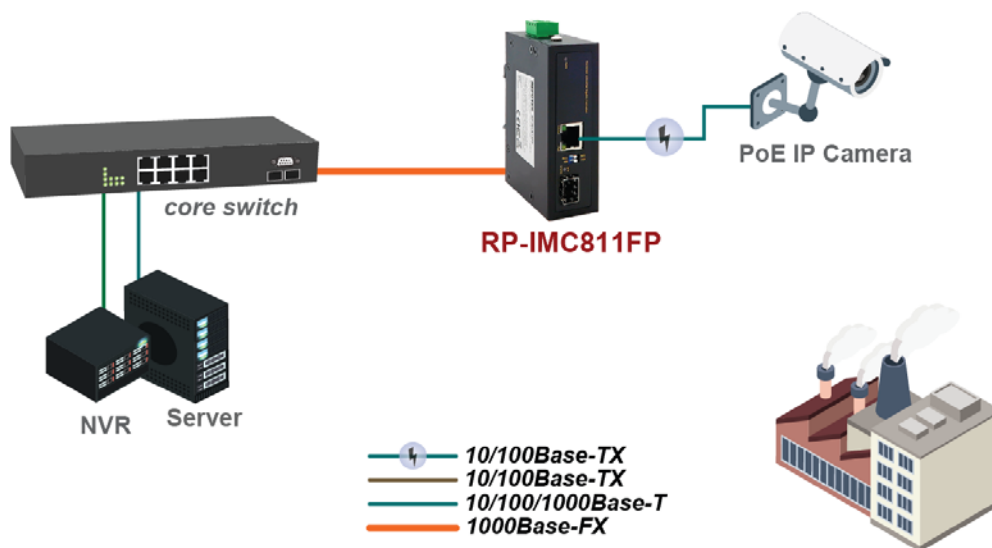
- Supports 48V-56VDC, Redundant power input
- Adjustable SFP speed 100M or 1000M
- PoE Output power up to 30Watts or 60Watts or 95Watts
- Reverse polarity protection
- Overload current protection
- ESD protection diodes on RJ-45 port
- 2K MAC Table
- 9KB Jumbo Frame
- Rugged Aluminum IP30 Protection enclosure
- Operating Temperature: -40°C to +75°C

## Specifications

<b>Standards</b>	<ul style="list-style-type: none"> <li>• IEEE 802.3 10Base-T Ethernet,</li> <li>• IEEE 802.3u 100Base-TX Fast Ethernet</li> <li>• IEEE 802.3ab 1000Base-T Gigabit Ethernet</li> <li>• IEEE 802.3z 1000Base-X Gigabit Ethernet</li> <li>• IEEE802.3x Flow Control and Back Pressure</li> <li>• IEEE802.3af/at PoE</li> </ul>
<b>Data Processing</b>	<ul style="list-style-type: none"> <li>• Store and Forward</li> </ul>
<b>Flow Control</b>	<ul style="list-style-type: none"> <li>• IEEE 802.3x Flow Control and Back Pressure</li> </ul>
<b>Switch Architecture</b>	<ul style="list-style-type: none"> <li>• Back-plane (Switching Fabric): 4Gbps</li> </ul>
<b>MAC Table Size</b>	<ul style="list-style-type: none"> <li>• 2K</li> </ul>
<b>Jumbo Frame</b>	<ul style="list-style-type: none"> <li>• 9KB</li> </ul>
<b>Packet Buffer Size</b>	<ul style="list-style-type: none"> <li>• 1M</li> </ul>
<b>Interface</b>	<ul style="list-style-type: none"> <li>• 1x RJ-45 10/100/1000BaseT(X) PSE with PoE Output power up to 30Watts or 60Watts or 95Watts</li> <li>• 1x 100/1000M SFP slot</li> </ul>
<b>Network Cable</b>	<ul style="list-style-type: none"> <li>• UTP/STP above Cat.5e Cable</li> <li>• EIA/TIA-568 10-ohm (100m)</li> </ul>
<b>Protocol</b>	<ul style="list-style-type: none"> <li>• CSMA/CD</li> </ul>
<b>POE Pin Assignment</b>	<ul style="list-style-type: none"> <li>• 30 watts 2 pairs Mode A End Span V+, V+, V-, V- for pin 1, 2, 3, 6</li> <li>• 60 / 95 watts 4 pairs Mode A End Span V+, V+, V-, V- for pin 1, 2, 3, 6 ; V+, V+, V-, V- for pin 4, 5, 7, 8</li> </ul>
<b>LED indicators</b>	<ul style="list-style-type: none"> <li>• PWR (Green)</li> <li>• SFP Lnk/Act (Green)</li> <li>• RJ-45: Lnk/Act (Green), PoE (Amber)</li> </ul>
<b>DIP Switch</b>	<ul style="list-style-type: none"> <li>• Set SFP speed 100M or 1000M</li> </ul>
<b>Reverse polarity protection</b>	<ul style="list-style-type: none"> <li>• Present</li> </ul>
<b>Overload current protection</b>	<ul style="list-style-type: none"> <li>• Present</li> </ul>
<b>Power Supply</b>	<ul style="list-style-type: none"> <li>• 4 pin terminal block with 48V-56V VDC Power Input</li> <li>• SW ( Relay ): Relay switch for alarm</li> </ul>
<b>Alarm Relay Contact</b>	<ul style="list-style-type: none"> <li>• Relay outputs with current carrying capacity of 1 A @24VDC,</li> <li>• Relay in short circuit mode when power fails.</li> <li>• Relay in open circuit mode when power supply is connected</li> </ul>
<b>Power Consumption</b>	<ul style="list-style-type: none"> <li>• 2W @48 VDC full load, Without PoE</li> </ul>
<b>PoE power budget</b>	<ul style="list-style-type: none"> <li>• Max. PoE power 36watts at 56VDC input (RP-IMC811FP)</li> <li>• Max. PoE power 72watts at 56VDC input (RP-IMC811FP-60W)</li> <li>• Max. PoE power 95watts at 56VDC input (RP-IMC811FP-95W)</li> </ul>
<b>Removable Terminal Block</b>	<ul style="list-style-type: none"> <li>• Provide 4 pin terminal block</li> <li>• Wire range: 0.34mm<sup>2</sup> to 2.5mm<sup>2</sup></li> <li>• Solid wire (AWG):12-24/14-22</li> <li>• Stranded wire(AWG): 12-24/14-22</li> <li>• Torque:5lb-In/0.5Nm/0.56Nm</li> <li>• Wire Strip length: 7-8mm</li> </ul>
<b>Operating Temperature</b>	<ul style="list-style-type: none"> <li>• -40°C ~75°C</li> </ul>

<b>Operating Humidity</b>	● 5% to 95% (Non-condensing)
<b>Storage Temperature</b>	● -40℃~85℃
<b>Housing</b>	● Rugged Aluminum ,IP30 Protection
<b>Dimension</b>	● 103.5 x 32 x 81.5mm (LxWxD)
<b>Installation mounting</b>	● DIN Rail mounting and Wall Mounting
<b>Safety</b>	● IEC EN60950-1
<b>EMC/EMS</b>	● CE, FCC
<b>EMI</b>	● FCC Part 15 Subpart B Class A, CE EN 55022 Class A
<b>Vibration</b>	● EN 50155 / EN 60068-2-6
<b>Shock</b>	● EN 50155 / EN 60068-2-27
<b>Free Fall</b>	● EN 50155 / EN 60068-2-32

## Application



## Ordering information

<b>RP-IMC811FP</b>	10/100/1000Base-TX to 100/1000Base-X SFP Industrial PoE+ Media Converter (30W)
<b>RP-IMC811FP-60W</b>	10/100/1000Base-TX to 100/1000Base-X SFP Industrial PoE+ Media Converter (60W)
<b>RP-IMC811FP-95W</b>	10/100/1000Base-TX to 100/1000Base-X SFP Industrial PoE+ Media Converter (95W)