



## RP-IMC801FP

### 10/100/1000M TX to 100/1000M SFP Industrial Media Converter

This mini, rugged Industrial Gigabit media converter is designed for Security, Transportation and Telco application to expand your network distances. It can be powered by wide range of VAC , VDC or external DC power adapter . With its multi-purpose design, it can also be used for Din-Rail or wall-mounted. It is an ideal unit for IP surveillance, traffic monitoring and Security application in critical environment. It can tolerate -40°C to 75°C in harsh environment to perform a reliable network.

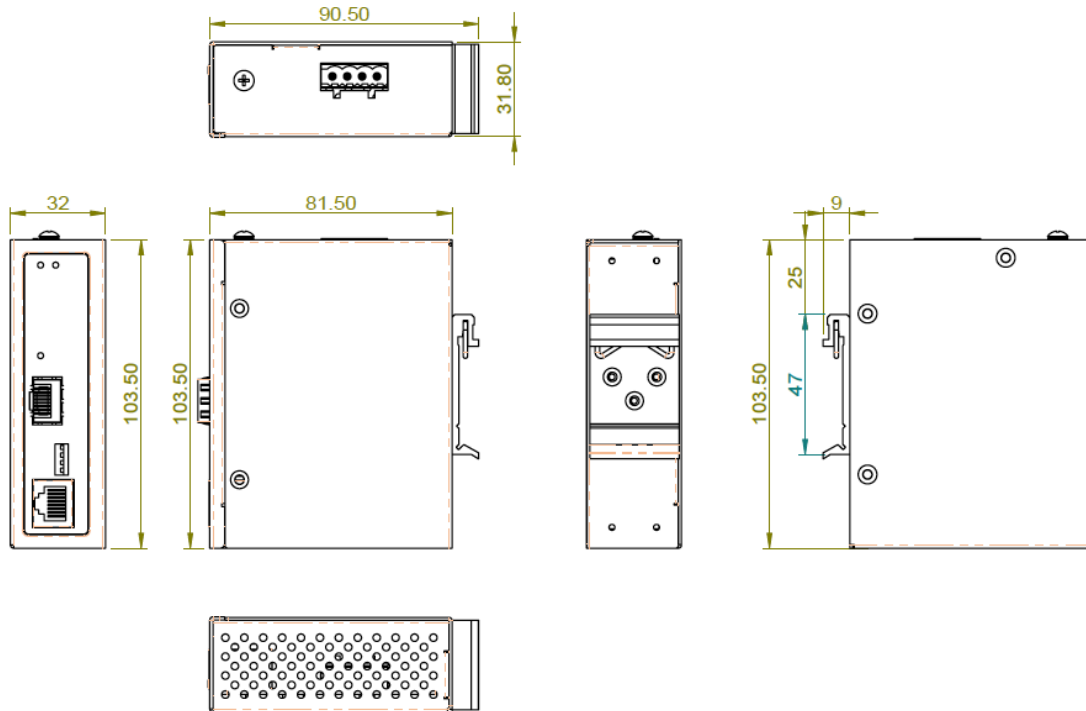
## Features

- Rugged design enclosure.
- Supports 18V-36VAC/12V-56VDC, Redundant power input
- Supports Link Fault Pass through (LFP) function
- Supports switch model and converter mode
- Adjustable SFP speed 100M or 1000M
- Surge protection diodes on power input
- ESD protection diodes on RJ-45 port
- Provides Far End Fault function on FX port
- Provides increased Noise Immunity
- Extended environmental specification -40°C to 75°C

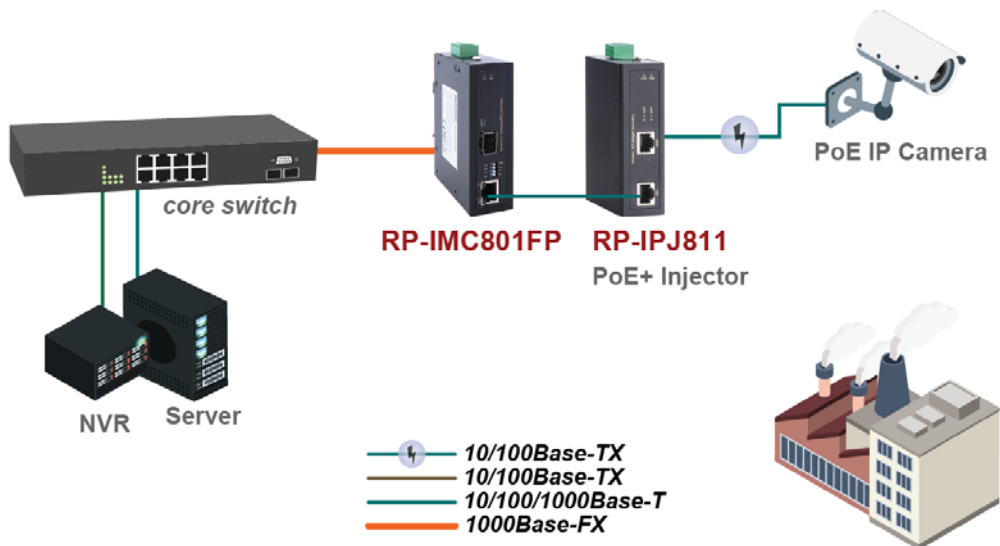
## Specifications

<b>Standards</b>	<ul style="list-style-type: none"> <li>● IEEE 802.3 10Base-T Ethernet</li> <li>● IEEE 802.3u 100Base-TX Fast Ethernet</li> <li>● IEEE 802.3ab 1000Base-T Gigabit Ethernet</li> <li>● IEEE 802.3z 1000Base-X Gigabit Ethernet</li> </ul>
<b>Data Processing</b>	<ul style="list-style-type: none"> <li>● Store and Forward</li> </ul>
<b>Flow Control</b>	<ul style="list-style-type: none"> <li>● IEEE 802.3x Flow Control and Back Pressure</li> </ul>
<b>Architecture</b>	<ul style="list-style-type: none"> <li>● Full wire speed conversion</li> <li>● Auto negotiation</li> <li>● Full/Half duplex</li> <li>● Auto MDI/MDI-X function</li> <li>● Supports LFP (Link Fault Pass Through) function</li> </ul>
<b>MAC Table Size</b>	<ul style="list-style-type: none"> <li>● 1K</li> </ul>
<b>Jumbo Frame</b>	<ul style="list-style-type: none"> <li>● 9KB</li> </ul>
<b>Interface</b>	<ul style="list-style-type: none"> <li>● Twisted Pair: 10/100/1000 Base-T(X) RJ-45 Distance 100 M</li> <li>● Optical Fiber: SFP pluggable fiber, 100M or 1000M by adjustable dip switch</li> </ul>
<b>LED indicators</b>	<ul style="list-style-type: none"> <li>● Power: PW1 (Green) , PW2 (Green)</li> <li>● Twisted Pair: 1000M/Link/Act (Green), 100M Link/Act (Yellow)</li> <li>● Optical Fiber: Link/Act (Green)</li> </ul>
<b>DIP Switch</b>	<ul style="list-style-type: none"> <li>● Set SFP speed 100M or 1000M</li> <li>● Set Enable or Disable SFP Auto-Negotiation</li> <li>● Set Switch mode / Pass Through mode</li> <li>● Set LFP (Link Fault Pass Through) : Enable / Disable</li> </ul>
<b>Power protection</b>	<ul style="list-style-type: none"> <li>● Surge protection diodes on power input</li> <li>● Reverse polarity protection on power input</li> <li>● Overload current protection</li> </ul>
<b>Power Input</b>	<ul style="list-style-type: none"> <li>● Redundant Power 1 and Power 2</li> <li>● 18V-36VAC or 12V-56VDC</li> </ul>
<b>Power Consumption</b>	<ul style="list-style-type: none"> <li>● Max 3 Watts</li> </ul>
<b>Removable Terminal Block</b>	<ul style="list-style-type: none"> <li>● 4 pin contact terminal block for power input</li> <li>● Wire range : 0.34mm<sup>2</sup> to 2.5mm<sup>2</sup></li> <li>● Solid wire (AWG) : 12-24/14-22</li> <li>● Stranded wire(AWG) : 12-24/14-22</li> <li>● Wire Strip length : 7-8mm</li> <li>● Torque : 5lb-In/0.5Nm/0.56Nm</li> </ul>
<b>Operating Temperature</b>	<ul style="list-style-type: none"> <li>● -40°C~75°C</li> </ul>
<b>Operating Humidity</b>	<ul style="list-style-type: none"> <li>● 5% to 95% (Non-condensing)</li> </ul>
<b>Storage Temperature</b>	<ul style="list-style-type: none"> <li>● -40°C~85°C</li> </ul>
<b>Housing</b>	<ul style="list-style-type: none"> <li>● IP40 Design, high graded Aluminum</li> </ul>
<b>Dimension</b>	<ul style="list-style-type: none"> <li>● 103.5mmx32mmx81.5mm (LxWxD)</li> </ul>
<b>Installation mounting</b>	<ul style="list-style-type: none"> <li>● DIN Rail mounted, Panel Mounted</li> </ul>
<b>Safety</b>	<ul style="list-style-type: none"> <li>● IEC EN60950-1</li> </ul>
<b>EMC/EMS</b>	<ul style="list-style-type: none"> <li>● CE, FCC</li> </ul>
<b>EMI</b>	<ul style="list-style-type: none"> <li>● FCC Part 15 Subpart B Class A, CE EN 55022 Class A</li> </ul>
<b>Vibration</b>	<ul style="list-style-type: none"> <li>● EN 50155 / EN 60068-2-6</li> </ul>
<b>Shock</b>	<ul style="list-style-type: none"> <li>● EN 50155 / EN 60068-2-27</li> </ul>
<b>Free Fall</b>	<ul style="list-style-type: none"> <li>● EN 50155 / EN 60068-2-32</li> </ul>

## Dimension



## Application



## Ordering information

**RP-IMC801FP** 10/100/1000M TX to 100/1000M SFP Industrial Media Converter