



## RP-IMC621 Series

### 2-P 10/100Base-TX PoE to 100Base-FX Industrial Media Converter

RP-IMC621 series is an Industrial PoE Converter providing superior performance in stability environmental adaptability. It equips with two 10/100 Base-TX and one fiber optic connector by which extends various distance.

RP-IMC621 complies with IEEE 802.3af/at standards for supplying PoE power budget up to 60W. Its Smart Link feature acts as a watchdog for your critical ports that send port link fail signal to alarm relay when link down detected. And it can also be set as a media converter to execute LFP (Link Fault Pass-Through) to notify remote site. The wide operating temperature range  $-40^{\circ}\text{C}\sim 75^{\circ}\text{C}$  allows RP-IMC621 to be placed in almost any difficult environment.

With IP30 industrial case protection, RP-IMC621 provides a high level of immunity against corrosion and electromagnetic interference. RP-IMC621 also allows either DIN rail or wall mounting for efficient use of cabinet space.

## Features

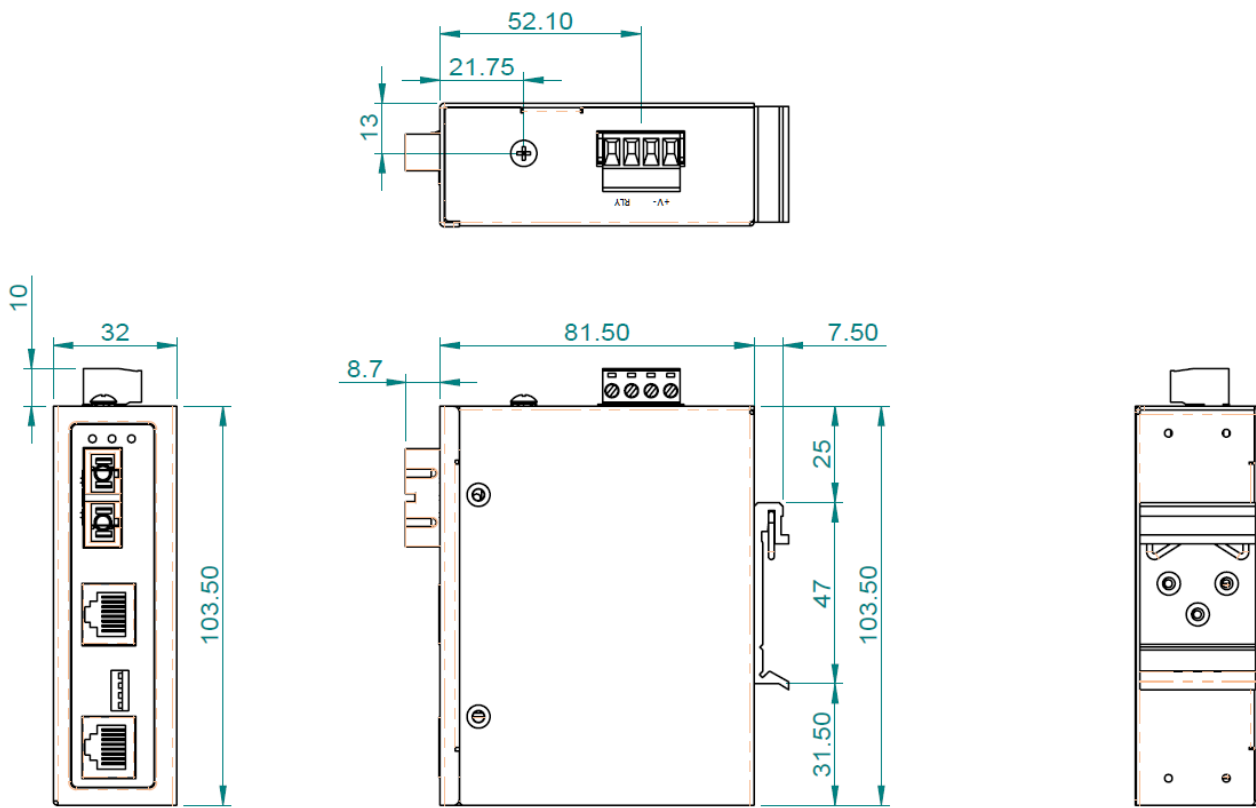
- With “Smart Link” features to send link-fail signal to alarm relay by selectable 4 pin dip-switch for critical ports
- Support Link Fault Pass-through (LFP) to notify remote site
- With 2 port PSE, 30Watts power per port for IEEE802.3af/at
- Reverse polarity protection
- Surge protection diodes on power input.
- ESD protection diodes on RJ-45 port
- Provides increased Noise Immunity
- Input voltage range from 48-56 VDC
- Working in extreme environment  $-40^{\circ}\text{C}$  to  $+75^{\circ}\text{C}$

## Specifications

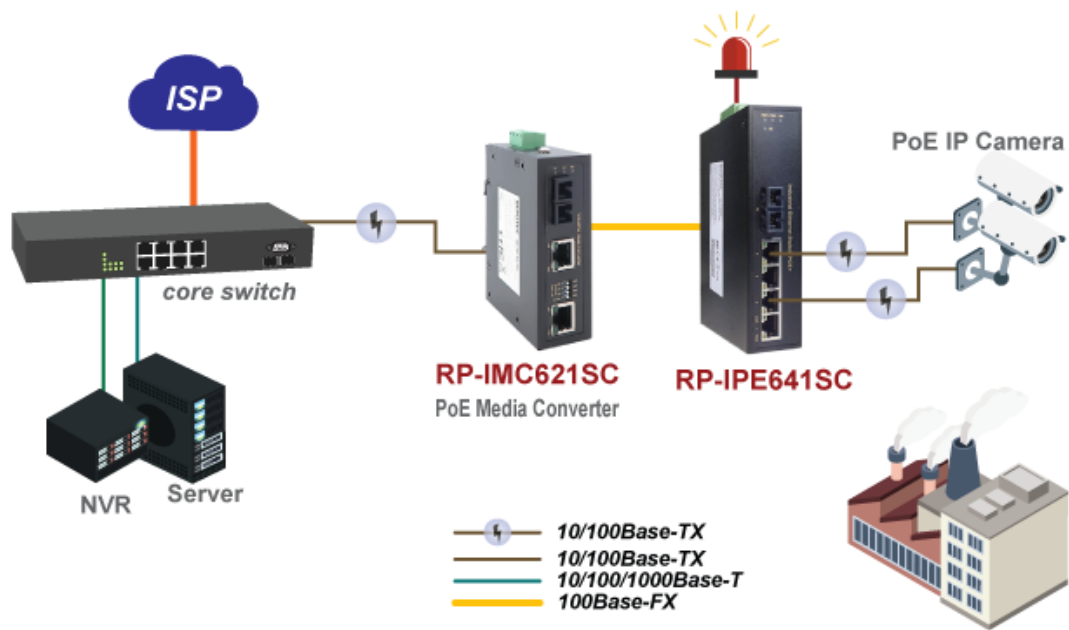
<b>Standards</b>	<ul style="list-style-type: none"> <li>• IEEE 802.3 10Base-T Ethernet</li> <li>• IEEE 802.3u 100Base-TX Fast Ethernet</li> <li>• IEEE 802.3u 100Base-FX Fast Ethernet</li> <li>• IEEE802.3x Flow Control and Back Pressure</li> <li>• IEEE802.3af / at for PoE</li> </ul>
<b>Switch Architecture</b>	<ul style="list-style-type: none"> <li>• Back-plane (Switching Fabric): 600Mbps</li> </ul>
<b>Data Processing</b>	<ul style="list-style-type: none"> <li>• Store and Forward</li> </ul>
<b>Flow Control</b>	<ul style="list-style-type: none"> <li>• IEEE 802.3x Flow Control and Back Pressure</li> </ul>
<b>MAC Table Size</b>	<ul style="list-style-type: none"> <li>• 1K</li> </ul>
<b>Interface</b>	<ul style="list-style-type: none"> <li>• 2 x RJ-45 Prot: 10/100M Base-T(X) Auto negotiation, Auto MDI/MDI-X function, Full/Half duplex, PoE+ 802.3af/at 30W PSE port</li> <li>• 1 x Fiber port: - 100BaseFX MM/SC up to 2km (RP-IMC621SC) - 100BaseFX SM/SC up to 10km (RP-IMC621C10) - 100BaseFX MM/ST up to 2km (RP-IMC621ST)</li> </ul>
<b>LED indicators</b>	<ul style="list-style-type: none"> <li>• RLY (Amber), PW (Green)</li> <li>• RJ-45 port: LNK(Green), POE(Amber)</li> <li>• FX(Green)</li> </ul>
<b>DIP Switch</b>	<ul style="list-style-type: none"> <li>• Dip 1: ON-Port 1 LFP enabled, OFF-LFP disabled (Default)</li> <li>• Dip 2: ON-Port 2 LFP enabled, OFF-LFP disabled (Default)</li> <li>• Dip 3: ON-Port 3 LFP enabled, OFF-LFP disabled (Default)</li> <li>• Dip 4: ON-LFP function on, OFF-LFP function off (Default)</li> </ul>
<b>Power protection</b>	<ul style="list-style-type: none"> <li>• Surge protection diodes on power input</li> <li>• Reverse polarity protection</li> <li>• Overload current protection</li> </ul>
<b>Power Consumption</b>	<ul style="list-style-type: none"> <li>• 3W @48 VDC full load, without PoE</li> <li>• Max PoE per port 36W at 56VDC input</li> <li>• Max total power with PoE 72W</li> </ul>
<b>Power Input</b>	<ul style="list-style-type: none"> <li>• 48-56VDC power input</li> <li>• PoE input 48-56VDC</li> </ul>
<b>Removable Terminal Block</b>	<ul style="list-style-type: none"> <li>• Provide 4 pin terminal block, V+, V-, and Relay</li> <li>• Wire range: 0.34mm<sup>2</sup> to 2.5mm<sup>2</sup></li> <li>• Solid wire (AWG):12-24/14-22</li> <li>• Stranded wire(AWG): 12-24/14-22</li> <li>• Torque:5lb-In/0.5Nm/0.56Nm</li> <li>• Wire Strip length: 7-8mm</li> </ul>
<b>Alarm Relay</b>	<ul style="list-style-type: none"> <li>• 24VDC @ 1A</li> <li>• Normal state – open, Relay LED OFF</li> <li>• Triggered states – short, Relay LED ON</li> </ul>
<b>Environment</b>	<ul style="list-style-type: none"> <li>• Operating Temperature: -40°C~75°C</li> </ul>

	<ul style="list-style-type: none"> <li>Operating Humidity: 5% to 95% (Non-condensing)</li> <li>Storage Temperature: -40°C ~85°C</li> </ul>
<b>Housing</b>	<ul style="list-style-type: none"> <li>High graded Aluminum, IP30 Protection</li> </ul>
<b>Dimension</b>	<ul style="list-style-type: none"> <li>103.5 x 32 x 81.5mm (HxWxD)</li> </ul>
<b>Installation mounting</b>	<ul style="list-style-type: none"> <li>DIN Rail mounted, Wall Mounted</li> </ul>
<b>Safety</b>	<ul style="list-style-type: none"> <li>IEC EN60950-1</li> </ul>
<b>EMC/EMS</b>	<ul style="list-style-type: none"> <li>CE, FCC</li> </ul>
<b>EMI</b>	<ul style="list-style-type: none"> <li>FCC Part 15 Subpart B Class A, CE EN 55022 Class A</li> </ul>
<b>Stability Testing</b>	<ul style="list-style-type: none"> <li>EN 50155 / EN 60068-2-6(Vibration), EN 50155 / EN 60068-2-27(Shock), EN 50155 / EN 60068-2-32(Free Fall)</li> </ul>

## Dimension



## Application



## Ordering information

<b>RP-IMC621SC</b>	2-P 10/100 Base-TX PoE to 100Base-FX Industrial Media Converter, Multi-mode, SC-2km
<b>RP-IMC621C10</b>	2-P 10/100 Base-TX PoE to 100Base-FX Industrial Media Converter, Single-mode, SC-10km
<b>RP-IMC621ST</b>	2-P 10/100 Base-TX PoE to 100Base-FX Industrial Media Converter, Multi-mode, ST-2km